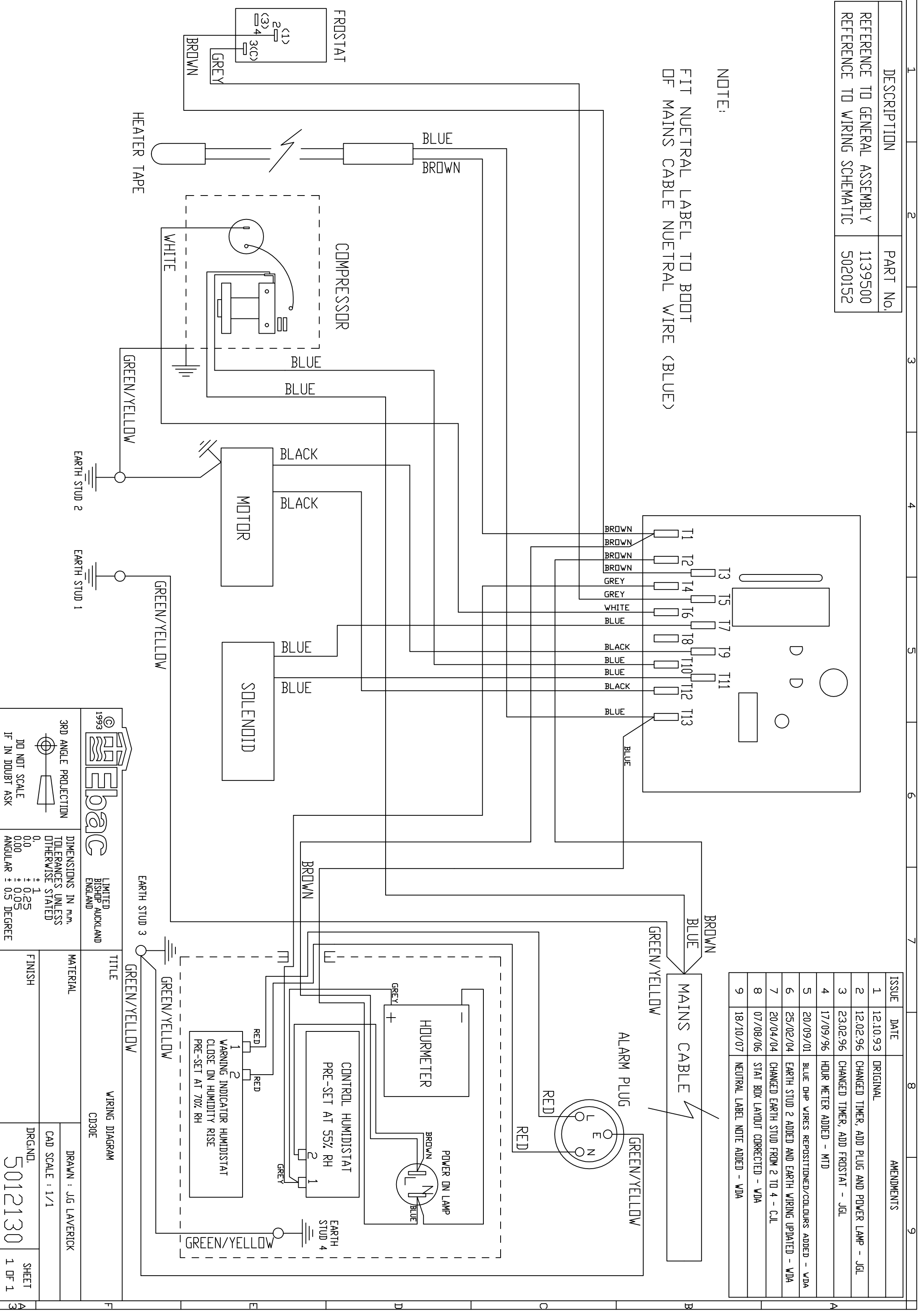


DESCRIPTION	PART No.
REFERENCE TO GENERAL ASSEMBLY	1139500
REFERENCE TO WIRING SCHEMATIC	5020152

NOTE:

FIT NUTRAL LABEL TO BOOT
OF MAINS CABLE NUTRAL WIRE (BLUE)



ISSUE	DATE	AMENDMENTS
1	12.10.93	ORIGINAL
2	12.02.96	CHANGED TIMER, ADD PLUG AND POWER LAMP - JGL
3	23.02.96	CHANGED TIMER, ADD FROSTAT - JGL
4	17/09/96	HOUR METER ADDED - MTD
5	20/09/01	BLUE OHP WIRES REPOSITIONED/COLOURS ADDED - VDA
6	25/02/04	EARTH STUD 2 ADDED AND EARTH WIRING UPDATED - VDA
7	20/04/04	CHANGED EARTH STUD FROM 2 TO 4 - CJL
8	07/08/06	STAT BOX LAYOUT CORRECTED - VDA
9	18/10/07	NEUTRAL LABEL NOTE ADDED - VDA

1993 Ebac LIMITED BISHOP AUCKLAND ENGLAND

3RD ANGLE PROJECTION
DD NOT SCALE
IF IN DOUBT ASK

DIMENSIONS IN mm
TOLERANCES UNLESS OTHERWISE STATED

0	+ 1
0.0	± 0.25
0.00	± 0.05
ANGULAR	± 0.5 DEGREE

TITLE WIRING DIAGRAM
MATERIAL CD30E
FINISH

DRAWN : JG LAVERICK
CAD SCALE : 1/1
DRG.ND 5012130
SHEET 1 OF 1