

SEE SHEET 2 OF 2 FOR BETTER VIEW OF HEATER BOX

1993
LIMITED
BISHOP AUCKLAND
ENGLAND

TITLE
DD1200 - WIRING DIAGRAM - 415V / 50HZ

MATERIAL
N/A

FINISH
N/A

3RD ANGLE PROJECTION
DO NOT SCALE
IF IN DOUBT ASK

DIMENSIONS IN mm.
TOLERANCES UNLESS OTHERWISE STATED

0	± 1
0.0	± 0.25
0.00	± 0.05
ANGULAR ±	0.5 DEGREE

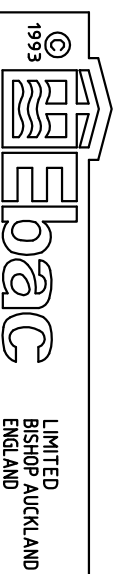
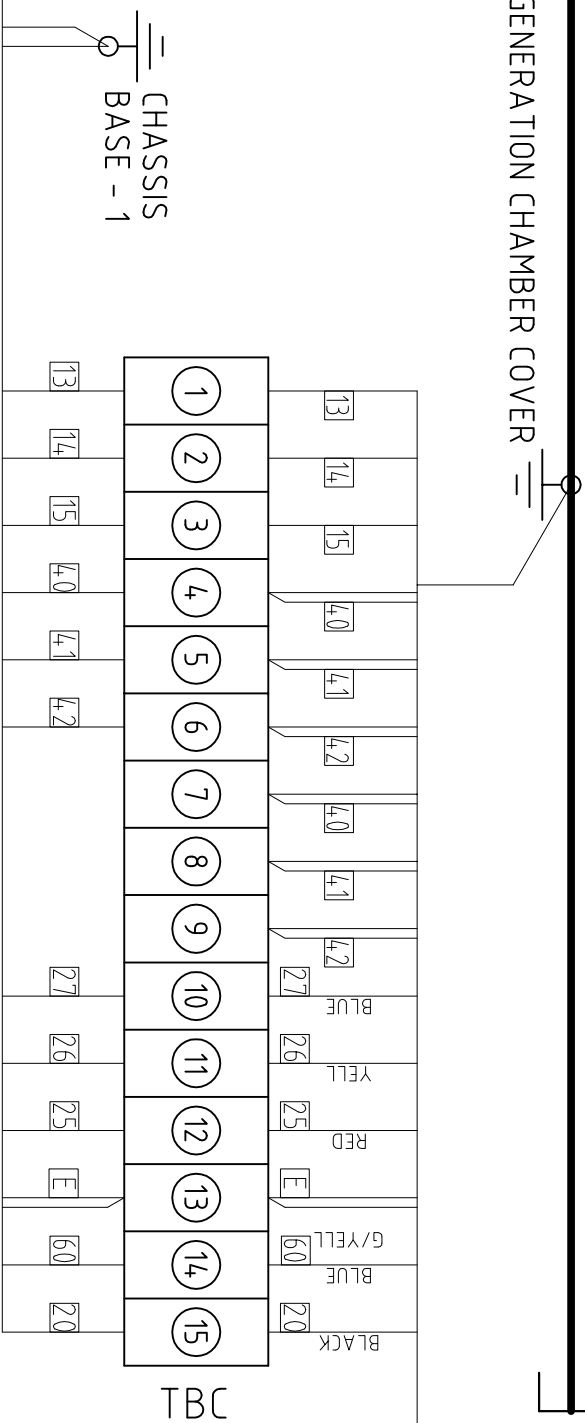
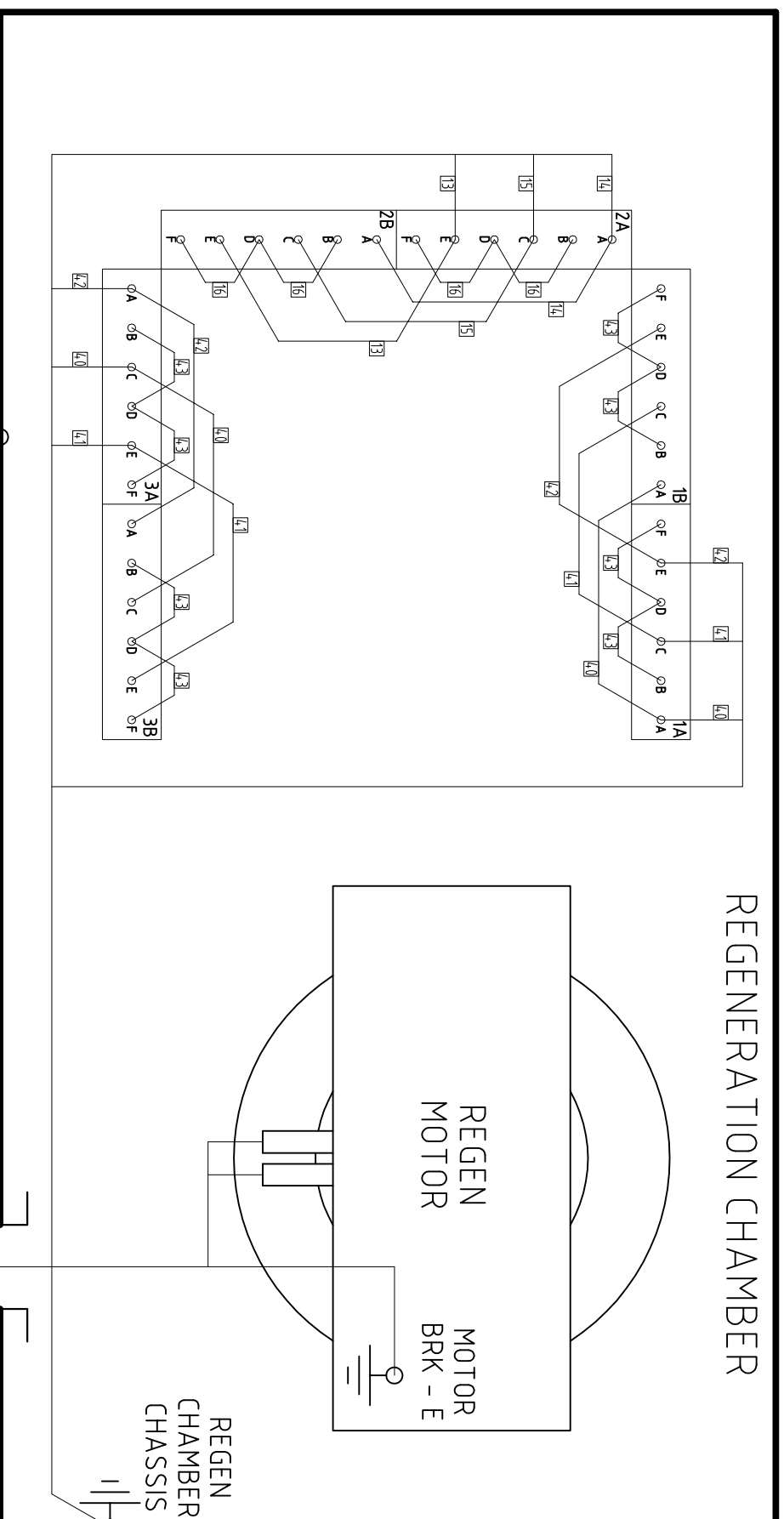
DRG.NO.
5010329

DRAWN : W DAGLISH
CAD SCALE : N/A

SHEET
1 OF 2

ISSUE	DATE	AMENDMENTS
1	05/07/12	ORIGINAL

ISSUE	DATE	AMENDMENTS
1	05/07/12	ORIGINAL



TITLE
DD1200 - WIRING DIAGRAM - 415V / 50HZ

3RD ANGLE PROJECTION DO NOT SCALE IF IN DOUBT ASK	DIMENSIONS IN m.m. TOLERANCES UNLESS OTHERWISE STATED	MATERIAL N/A	DRAWN : W DAGLISH
0.0 0.00 ANGULAR ± 0.5 DEGREE	± 1 ± 0.25 ± 0.05	FINISH N/A	CAD SCALE : N/A
			DRG.NO. 5010329
			SHEET 2 OF 2