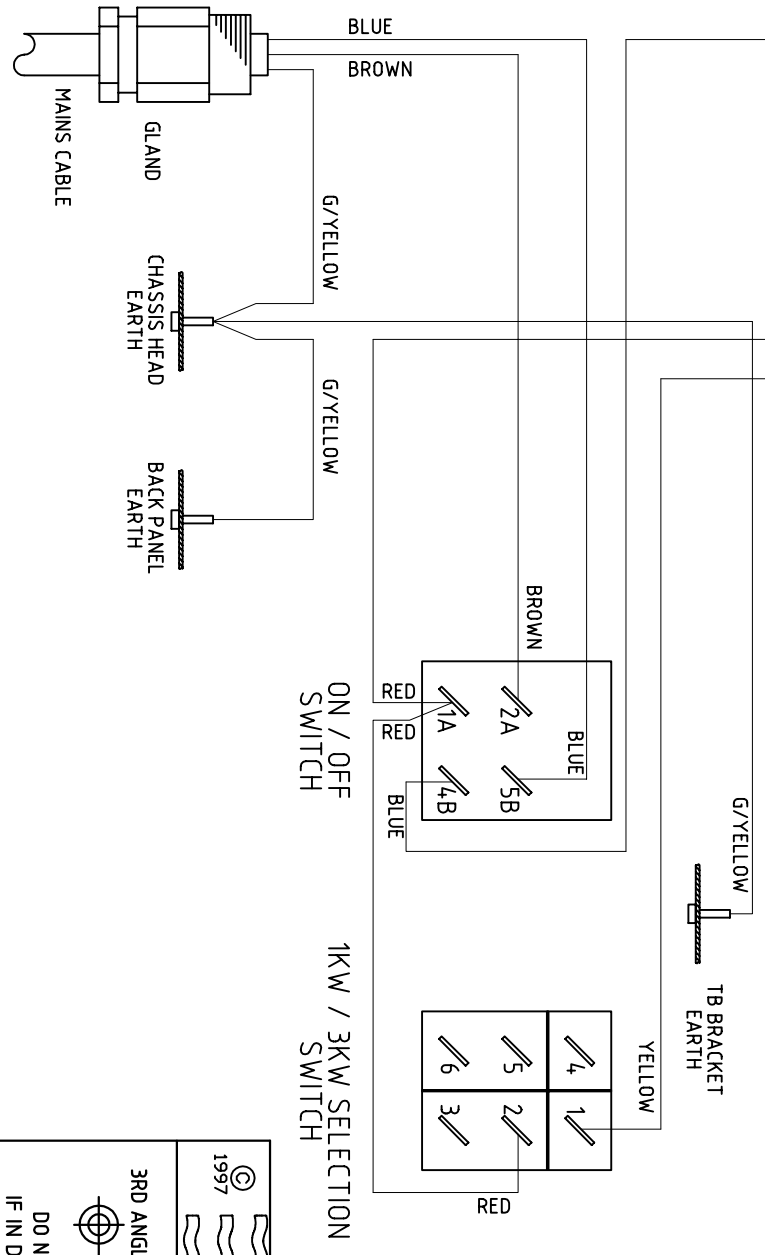
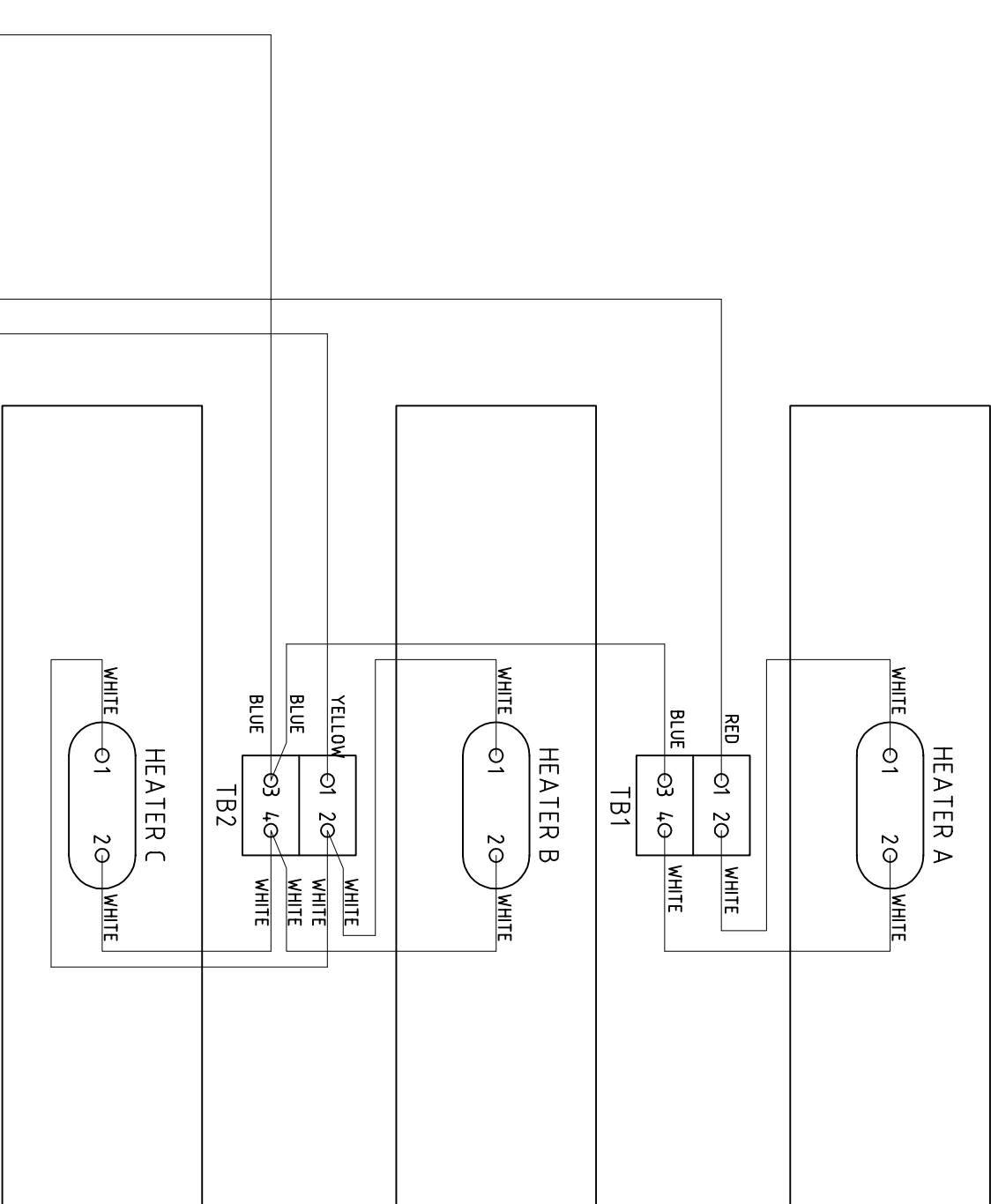


ISSUE	DATE	AMENDMENTS
1	22/04/10	ORIGINAL
2	13/10/10	PROTOTYPE ISSUES CORRECTED - WDA
3	04/11/10	NEUTRAL NOW ALSO SWITCHED - WDA
4	07/01/11	FAN SWITCH VIEW CHANGED - WDA
5	21/03/11	WIRE ROUTING REVERTED TO ORIGINAL METHOD - WDA



<p>3RD ANGLE PROJECTION DO NOT SCALE IF IN DOUBT ASK</p>		<p>BISHOP AUCKLAND Co. DURHAM ENGLAND</p>		<p>TITLE WIRING DIAGRAM - CERAMIC HEATER</p>	
<p>DIMENSIONS IN m.m. TOLERANCES UNLESS OTHERWISE STATED</p> <p>0. ± 1 0.0 ± 0.25 0.00 ± 0.05 ANGULAR ± 0.5 DEGREE</p>		<p>MATERIAL N/A</p>		<p>FINISH N/A</p>	
<p>1997 LDP</p>		<p>DRAWN: W DAGLISH CAD SCALE: N/A</p>		<p>DRG.NO. 5010297</p>	
<p>SHEET 1 OF 1</p>		<p>SHEET 1 OF 1</p>			